



TRAFFIC CRASH REPORT

*DENOTES MANDATORY FIELD FOR SUPPLEMENT REPORT

LOCAL REPORT NUMBER*

2021002

PHOTOS TAKEN OH-2 OH-3
 SECONDARY CRASH OH-1P OTHER
 PRIVATE PROPERTY

LOCAL INFORMATION
 REPORTING AGENCY NAME*
 RICHFIELD POLICE

HIT/SKIP
 1 - SOLVED
 2 - UNSOLVED

NUMBER OF UNITS
 1

UNIT IN ERROR
 01 98 - ANIMAL
 99 - UNKNOWN

COUNTY* 77 LOCALITY* 2
 1 - CITY
 2 - VILLAGE
 3 - TOWNSHIP

LOCATION: CITY, VILLAGE, TOWNSHIP*
 RICHFIELD

CRASH DATE / TIME*
 01/01/2021 12:03

CRASH SEVERITY
 5
 1 - FATAL
 2 - SERIOUS INJURY SUSPECTED
 3 - MINOR INJURY SUSPECTED
 4 - INJURY POSSIBLE
 5 - PROPERTY DAMAGE ONLY

ROUTE TYPE IR ROUTE NUMBER 271 PREFIX N - NORTH
 S - SOUTH
 E - EAST
 W - WEST

LOCATION ROAD NAME
 I-271

ROAD TYPE HW

LATITUDE DECIMAL DEGREES
 41.228881

ROUTE TYPE ROUTE NUMBER PREFIX N - NORTH
 S - SOUTH
 E - EAST
 W - WEST

REFERENCE ROAD NAME (ROAD, MILEPOST, HOUSE #)
 10

ROAD TYPE MP

LONGITUDE DECIMAL DEGREES
 81.626183

REFERENCE POINT
 1 - INTERSECTION
 2 - MILE POST
 3 - HOUSE #

DIRECTION
 N - NORTH
 S - SOUTH
 E - EAST
 W - WEST

ROUTE TYPE
 IR - INTERSTATE ROUTE(TP)
 US - FEDERAL US ROUTE
 SR - STATE ROUTE
 CR - NUMBERED COUNTY ROUTE
 TR - NUMBERED TOWNSHIP ROUTE

ROAD TYPE
 AL - ALLEY HW - HIGHWAY RD - ROAD
 AV - AVENUE LA - LANE SQ - SQUARE
 BL - BOULEVARD MP - MILEPOST ST - STREET
 CR - CIRCLE OV - OVAL TE - TERRACE
 CT - COURT PK - PARKWAY TL - TRAIL
 DR - DRIVE PI - PIKE WA - WAY
 HE - HEIGHTS PL - PLACE

DISTANCE FROM REFERENCE
 300

DISTANCE UNIT OF MEASURE
 3
 1 - MILES
 2 - FEET
 3 - YARDS

INTERSECTION RELATED
 WITHIN INTERSECTION OR ON APPROACH
 WITHIN INTERCHANGE AREA NUMBER OF APPROACHES 1

ROADWAY
 ROADWAY DIVIDED

LOCATION OF FIRST HARMFUL EVENT
 1 - ON ROADWAY
 2 - ON SHOULDER
 3 - IN MEDIAN
 4 - ON ROADSIDE
 5 - ON GORE
 6 - OUTSIDE TRAFFIC WAY
 7 - ON RAMP
 8 - OFF RAMP

9 - CROSSOVER
 10 - DRIVEWAY/ALLEY ACCESS
 11 - RAILWAY GRADE CROSSING
 12 - SHARED USE PATHS OR TRAILS
 13 - BIKE LANE
 14 - TOLL BOOTH
 99 - OTHER / UNKNOWN

MANNER OF CRASH COLLISION/IMPACT
 1 - NOT COLLISION BETWEEN TWO MOTOR VEHICLES IN TRANSPORT
 2 - REAR-END
 3 - HEAD-ON
 4 - REAR-TO-REAR
 5 - BACKING
 6 - ANGLE
 7 - SIDESWIPE, SAME DIRECTION
 8 - SIDESWIPE, OPPOSITE DIRECTION
 9 - OTHER / UNKNOWN

DIRECTION OF TRAVEL
 N - NORTH
 S - SOUTH
 E - EAST
 W - WEST

MEDIAN TYPE
 4
 1 - DIVIDED FLUSH MEDIAN (<4 FEET)
 2 - DIVIDED FLUSH MEDIAN (≥4 FEET)
 3 - DIVIDED, DEPRESSED MEDIAN
 4 - DIVIDED, RAISED MEDIAN (ANY TYPE)
 9 - OTHER/UNKNOWN

WORK ZONE RELATED
 WORKERS PRESENT
 LAW ENFORCEMENT PRESENT
 ACTIVE SCHOOL ZONE

WORK ZONE TYPE
 1 - LANE CLOSURE
 2 - LANE SHIFT/CROSSOVER
 3 - WORK ON SHOULDER OR MEDIAN
 4 - INTERMITTENT or MOVING WORK
 5 - OTHER

LOCATION OF CRASH IN WORK ZONE
 1 - BEFORE THE 1ST WORK ZONE WARNING SIGN
 2 - ADVANCE WARNING AREA
 3 - TRANSITION AREA
 4 - ACTIVITY AREA
 5 - TERMINATION AREA

CONTOUR
 3
 1 - STRAIGHT LEVEL
 2 - STRAIGHT GRADE
 3 - CURVE LEVEL
 4 - CURVE GRADE
 9 - OTHER/UNKNOWN

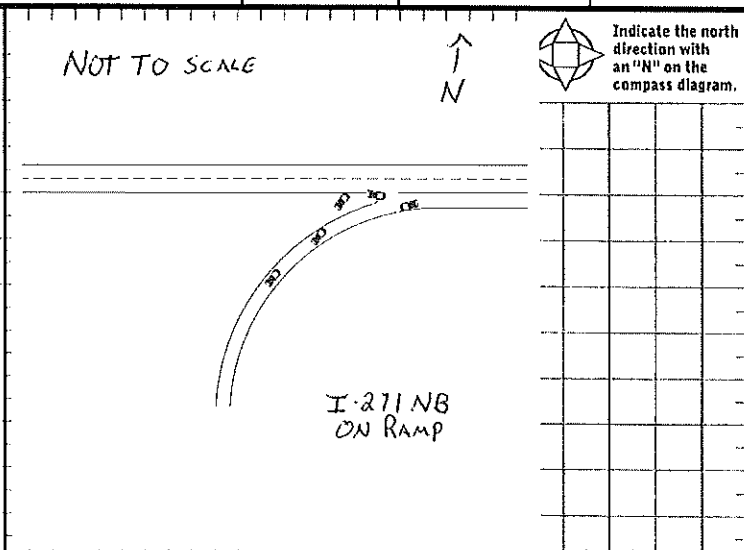
CONDITIONS
 2
 1 - DRY
 2 - WET
 3 - SNOW
 4 - ICE
 5 - SAND, MUD, DIRT, OIL, GRAVEL
 6 - WATER (STANDING, MOVING)
 7 - SLUSH
 9 - OTHER/UNKNOWN

SURFACE
 2
 1 - CONCRETE
 2 - BLACKTOP, BITUMINOUS, ASPHALT
 3 - BRICK/BLOCK
 4 - SLAG, GRAVEL, STONE
 5 - DIRT
 9 - OTHER/UNKNOWN

LIGHT CONDITION
 1
 1 - DAYLIGHT
 2 - DAWN/DUSK
 3 - DARK - LIGHTED ROADWAY
 4 - DARK - ROADWAY NOT LIGHTED
 5 - DARK - UNKNOWN ROADWAY LIGHTING
 9 - OTHER / UNKNOWN

WEATHER
 4
 1 - CLEAR 6 - SNOW
 2 - CLOUDY 7 - SEVERE CROSSWINDS
 3 - FOG, SMOG, SMOKE 8 - BLOWING SAND, SOIL, DIRT, SNOW
 4 - RAIN 9 - FREEZING RAIN OR FREEZING DRIZZLE
 5 - SLEET, HAIL 99 - OTHER / UNKNOWN

Unit #1 was traveling north on I-77 and proceeded onto the on-ramp, going to I-271. While accelerating on the on-ramp to I-271 NB, Unit #1's operator lost control of her vehicle due to her speed and wet road conditions, resulting in this traffic crash. Unit #1 went off the road to the left, struck a nearby guardrail (causing disabling damage) and then traveled back onto the on-ramp facing the wrong way. No mentioned injuries were sustained during this incident.



CRASH REPORTED DATE / TIME: 01/01/2021 12:03
 DISPATCH DATE / TIME: 01/01/2021 12:05
 ARRIVAL DATE / TIME: 01/01/2021 12:15
 SCENE CLEARED DATE / TIME: 01/01/2021 13:30

TOTAL TIME ROADWAY CLOSED: 0030
 OTHER INVESTIGATION TIME: 115
 TOTAL MINUTES: 723

OFFICER'S NAME*
 THOMAS RANDOLPH

OFFICER'S BADGE NUMBER*
 723

CHECKED BY OFFICER'S NAME*
 [Signature]

CHECKED BY OFFICER'S BADGE NUMBER*

REPORT TAKEN BY
 POLICE AGENCY
 MOTORIST
 SUPPLEMENT (CORRECTION or ADDITION TO AN EXISTING REPORT SENT TO 2224)

OWNER
 UNIT # 01 OWNER NAME: LAST, FIRST, MIDDLE () (SAME AS DRIVER)
 LONG ANDREA A
 OWNER PHONE: INCLUDE AREA CODE () (SAME AS DRIVER)
 419-617-5257
 OWNER ADDRESS: STREET, CITY, STATE, ZIP () (SAME AS DRIVER)
 3540 SECOND ST CHATFIELD OH 44825
 COMMERCIAL CARRIER: NAME, ADDRESS, CITY, STATE, ZIP
 COMMERCIAL CARRIER PHONE: INCLUDE AREA CODE

VEHICLE
 LP STATE OH LICENSE PLATE # EEE5192 VEHICLE IDENTIFICATION # KMHDDH4AE9FU436449
 VEHICLE YEAR 2015 VEHICLE MAKE HYUN
 INSURANCE VERIFIED OHIO MUTUAL INS. CO. INSURANCE POLICY # AAO000957805
 COLOR BLK / VEHICLE MODEL ELN
 TYPE OF USE: COMMERCIAL GOVERNMENT IN EMERGENCY RESPONSE
 US DOT # HAZARDOUS MATERIAL: MATERIAL RELEASED PLACARD
 INTERLOCK DEVICE EQUIPPED HIT/SKIP UNIT #OCCUPANTS 4
 VEHICLE WEIGHT GVWR/GCWR: 1 - <10K LBS. 2 - 10,001 - 26K LBS. 3 - >26K LBS.

VEHICLE
 UNIT TYPE: 1 - PASSENGER CAR 7 - MOTORCYCLE 2-WHEELED 12 - GOLF CART 18 - LIMO (LIVERY VEHICLE) 23 - PEDESTRIAN / SKATER
 2 - PASSENGER VAN (MINIVAN) 8 - MOTORCYCLE 3-WHEELED 13 - SNOWMOBILE 19 - BUS (16+ PASSENGERS) 24 - WHEELCHAIR (ANY TYPE)
 3 - SPORT UTILITY VEHICLE 9 - AUTOCYCLE 14 - SINGLE UNIT TRUCK 20 - OTHER VEHICLE 25 - OTHER NON-MOTORIST
 4 - PICK UP 10 - MOPED OR MOTORIZED BICYCLE 15 - SEMI-TRACTOR 21 - HEAVY EQUIPMENT 26 - BICYCLE
 5 - CARGO VAN 11 - ALL TERRAIN VEHICLE (ATV / UTV) 16 - FARM EQUIPMENT 22 - ANIMAL WITH RIDER OR ANIMAL-DRAWN VEHICLE 27 - TRAIN
 6 - VAN (9-15 SEATS) 17 - MOTORHOME 99 - UNKNOWN OR HIT/SKIP

VEHICLE
 WAS VEHICLE OPERATING IN AUTONOMOUS MODE WHEN CRASH OCCURRED? 1 - YES 2 - NO 9 - OTHER / UNKNOWN
 AUTONOMOUS MODE LEVEL: 0 - NO AUTOMATION 1 - DRIVER ASSISTANCE 2 - PARTIAL AUTOMATION 3 - CONDITIONAL AUTOMATION 4 - HIGH AUTOMATION 5 - FULL AUTOMATION 9 - UNKNOWN

VEHICLE
 SPECIAL FUNCTION: 1 - NONE 2 - TAXI 3 - ELECTRONIC RIDE SHARING 4 - SCHOOL TRANSPORT 5 - BUS - TRANSIT/COMMUTER
 6 - BUS - CHARTER/TOUR 7 - BUS - INTERCITY 8 - BUS - SHUTTLE 9 - BUS - OTHER 10 - AMBULANCE
 11 - FIRE 12 - MILITARY 13 - POLICE 14 - PUBLIC UTILITY 15 - CONSTRUCTION EQUIPMENT
 16 - FARM 17 - MOWING 18 - SHOW REMOVAL 19 - TOWING 20 - SAFETY SERVICE PATROL 21 - MAIL CARRIER 99 - OTHER / UNKNOWN

VEHICLE
 CARGO BODY TYPE: 1 - NO CARGO BODY TYPE / NOT APPLICABLE 2 - BUS 3 - VEHICLE TOWING ANOTHER MOTOR VEHICLE 4 - LOGGING
 5 - INTERMODAL CONTAINER CHASSIS 6 - CARGO VAN/ENCLOSED BOX 7 - GRAIN/CHIPS/GRAVEL 8 - POLE 9 - CARGO TANK 10 - FLAT BED 11 - DUMP 12 - CONCRETE MIXER 13 - AUTO TRANSPORTER 14 - GARBAGE/REFUSE 99 - OTHER / UNKNOWN

VEHICLE
 VEHICLE DEFECTS: 1 - TURN SIGNALS 2 - HEAD LAMPS 3 - TAIL LAMPS 4 - BRAKES 5 - STEERING 6 - TIRE BLOWOUT
 7 - WORN OR SLICK TIRES 8 - TRAILER EQUIPMENT DEFECTIVE 9 - MOTOR TROUBLE 10 - DISABLED FROM PRIOR ACCIDENT 99 - OTHER / UNKNOWN

VEHICLE
 NON-MOTORIST LOCATION AT IMPACT: 1 - INTERSECTION - MARKED CROSSWALK 2 - INTERSECTION - UNMARKED CROSSWALK 3 - INTERSECTION - OTHER 4 - MIDBLOCK - MARKED CROSSWALK 5 - TRAVEL LANE - OTHER LOCATION
 6 - BICYCLE LANE 7 - SHOULDER / ROADSIDE 8 - SIDEWALK 9 - MEDIAN CROSSING ISLAND 10 - DRIVEWAY ACCESS 11 - SHARED USE PATHS OR TRAILS 12 - FIRST RESPONDER AT INCIDENT SCENE 99 - OTHER / UNKNOWN

VEHICLE
 ACTION: 1 - NON-CONTACT 2 - NON-COLLISION 3 - STRIKING 4 - STRUCK 5 - BOTH STRIKING & STRUCK 9 - OTHER / UNKNOWN
 PRE-CRASH ACTIONS: 13 - STRAIGHT AHEAD 2 - BACKING 3 - CHANGING LANES 4 - OVERTAKING/PASSING 5 - MAKING RIGHT TURN 6 - MAKING LEFT TURN
 7 - MAKING U-TURN 8 - ENTERING TRAFFIC LANE 9 - LEAVING TRAFFIC LANE 10 - PARKED 11 - SLOWING OR STOPPED IN TRAFFIC 12 - DRIVERLESS
 13 - NEGOTIATING A CURVE 14 - ENTERING OR CROSSING SPECIFIED LOCATION 15 - WALKING, RUNNING, JOGGING, PLAYING 16 - WORKING 17 - PUSHING VEHICLE
 18 - APPROACHING OR LEAVING VEHICLE 19 - STANDING 20 - OTHER NON-MOTORIST 21 - STANDING OUTSIDE DISABLED VEHICLE 99 - OTHER / UNKNOWN

VEHICLE
 CONTRIBUTING CIRCUMSTANCES: 1 - NONE 2 - FAILURE TO YIELD 3 - RAN RED LIGHT 4 - RAN STOP SIGN 5 - UNSAFE SPEED 6 - IMPROPER TURN
 7 - LEFT OF CENTER 8 - FOLLOWING TOO CLOSE / ACDA 9 - IMPROPER LANE CHANGE 10 - IMPROPER PASSING 11 - DROVE OFF ROAD 12 - IMPROPER BACKING
 13 - IMPROPER START FROM A PARKED POSITION 14 - STOPPED OR PARKED ILLEGALLY 15 - SWERVING TO AVOID 16 - WRONG WAY 17 - VISION OBSTRUCTION 18 - OPERATING DEFECTIVE EQUIPMENT 19 - LOAD SHIFTING/FALLING/SPILLING 20 - IMPROPER CROSSING 21 - LYING IN ROADWAY 22 - NOT DISCERNIBLE 23 - OPENING DOOR INTO ROADWAY 99 - OTHER IMPROPER ACTION

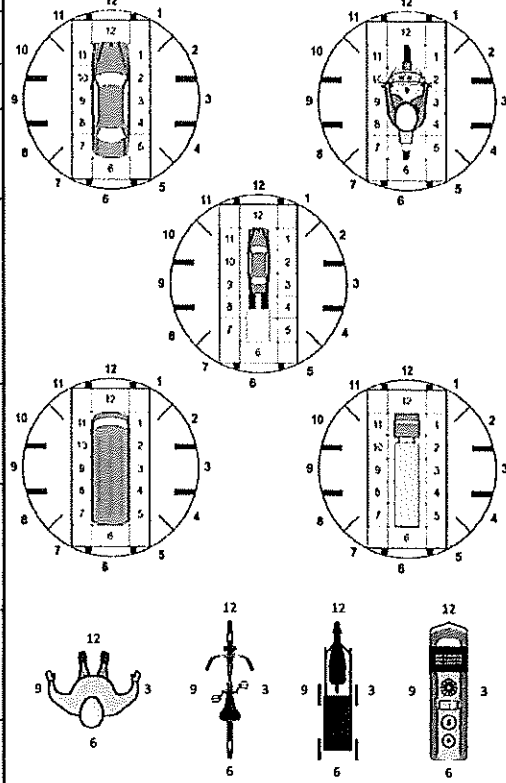
EVENT(S)
 SEQUENCE OF EVENTS: 1 - OVERTURN/ROLLOVER 2 - FIRE/EXPLOSION 3 - IMMERSION 4 - JACKKNIFE 5 - CARGO / EQUIPMENT LOSS OR SHIFT
 6 - EQUIPMENT FAILURE 7 - SEPARATION OF UNITS 8 - RAN OFF ROAD RIGHT 9 - RAN OFF ROAD LEFT 10 - CROSS MEDIAN
 NON-COLLISION: 11 - CROSS CENTERLINE - OPPOSITE DIRECTION OF TRAVEL 12 - DOWNHILL RUNAWAY 13 - OTHER NON-COLLISION 14 - PEDESTRIAN 15 - PEDALCYCLE 16 - RAILWAY VEHICLE 17 - ANIMAL - FARM 18 - ANIMAL - DEER 19 - ANIMAL - OTHER 20 - MOTOR VEHICLE IN TRANSPORT 21 - PARKED MOTOR VEHICLE 22 - WORK ZONE MAINTENANCE EQUIPMENT 23 - STRUCK BY FALLING, SHIFTING CARGO OR ANYTHING SET IN MOTION BY A MOTOR VEHICLE 24 - OTHER MOVABLE OBJECT

EVENT(S)
 COLLISION WITH FIXED OBJECT - STRUCK: 25 - IMPACT ATTENUATOR / CRASH CUSHION 26 - BRIDGE OVERHEAD STRUCTURE 27 - BRIDGE PIER OR ABUTMENT 28 - BRIDGE PARAPET 29 - BRIDGE RAIL 30 - GUARDRAIL FACE 31 - GUARDRAIL END 32 - PORTABLE BARRIER 33 - MEDIAN CABLE BARRIER 34 - MEDIAN GUARDRAIL BARRIER 35 - MEDIAN CONCRETE BARRIER 36 - MEDIAN OTHER BARRIER 37 - TRAFFIC SIGN POST 38 - OVERHEAD SIGN POST 39 - LIGHT / LUMINARIES SUPPORT 40 - UTILITY POLE 41 - OTHER POST, POLE OR SUPPORT 42 - CULVERT 43 - CURB 44 - DITCH 45 - EMBANKMENT 46 - FENCE 47 - MAILBOX 48 - TREE 49 - FIRE HYDRANT 50 - WORK ZONE MAINTENANCE EQUIPMENT 51 - WALL 52 - BUILDING 53 - TUNNEL 54 - OTHER FIXED OBJECT 99 - OTHER / UNKNOWN
 FIRST HARMFUL EVENT 1 MOST HARMFUL EVENT 1

LOCAL REPORT NUMBER
 2021002

DAMAGE
 DAMAGE SCALE: 4 1 - NONE 2 - MINOR DAMAGE 3 - FUNCTIONAL DAMAGE 4 - DISABLING DAMAGE 9 - UNKNOWN

DAMAGED AREA(S)
 INDICATE ALL THAT APPLY
 1 11 12



- NO DAMAGE [0] - UNDERCARRIAGE [14]
 - TOP [13] - ALL AREAS [15]
 - UNIT NOT AT SCENE [16]

INITIAL POINT OF CONTACT
 0 - NO DAMAGE 12 1-12 - REFER TO UNIT DIAGRAM 13 - TOP 14 - UNDERCARRIAGE 15 - VEHICLE NOT AT SCENE 99 - UNKNOWN

TRAFFIC
 TRAFFICWAY FLOW: 1 - ONE-WAY 2 - TWO-WAY
 TRAFFIC CONTROL: 6 1 - ROUNDABOUT 2 - SIGNAL 3 - FLASHER 4 - STOP SIGN 5 - YIELD SIGN 6 - NO CONTROL

OF THROUGH LANES OR ROAD: 1
 RAIL GRADE CROSSING: 1 - NOT INVOLVED 2 - INVOLVED-ACTIVE CROSSING 3 - INVOLVED-PASSIVE CROSSING

UNIT / NON-MOTORIST DIRECTION
 FROM 2 TO 1
 1 - NORTH 2 - SOUTH 3 - EAST 4 - WEST 5 - NORTHEAST 6 - NORTHWEST 7 - SOUTHEAST 8 - SOUTHWEST 9 - OTHER / UNKNOWN

UNIT SPEED: 55
 POSTED SPEED: 65
 DETECTED SPEED: 1 1 - STATED / ESTIMATED SPEED 2 - CALCULATED / EDR 3 - UNDETERMINED



MOTORIST / Non-MOTORIST

LOCAL REPORT NUMBER
2021002

UNIT # 01	NAME: LAST, FIRST, MIDDLE LONG SIDNEY ANN				DATE OF BIRTH 03/29/1998		AGE 22	GENDER F	
ADDRESS: STREET, CITY, STATE, ZIP 3540 SECOND ST CHATFIELD OH 44825					CONTACT PHONE - INCLUDE AREA CODE 419-617-5257				
INJURIES 5	INJURED TAKEN BY	EMS AGENCY (NAME)	INJURED TAKEN TO: MEDICAL FACILITY (NAME, CITY)	SAFETY EQUIPMENT USED 4	<input type="checkbox"/> DOT-COMPLIANT MC HELMET	SEATING POSITION 1	AIR BAG USAGE 1	EJECTION 1	TRAPPED 1
OL STATE OH	OPERATOR LICENSE NUMBER TZ888070		OFFENSE CHARGED 333.08	LOCAL CODE <input checked="" type="checkbox"/>	OFFENSE DESCRIPTION FAILURE TO CONTROL			CITATION NUMBER 58326	
OL CLASS 4	ENDORSEMENT	RESTRICTION SELECT UP TO 3	DRIVER DISTRACTED BY 1	ALCOHOL / DRUG SUSPECTED <input type="checkbox"/> ALCOHOL <input type="checkbox"/> MARIJUANA <input type="checkbox"/> OTHER DRUG		CONDITION 1	ALCOHOL TEST STATUS TYPE VALUE		DRUG TEST(S) STATUS TYPE RESULT SELECT UP TO 4

UNIT #	NAME: LAST, FIRST, MIDDLE				DATE OF BIRTH //		AGE	GENDER	
ADDRESS: STREET, CITY, STATE, ZIP					CONTACT PHONE - INCLUDE AREA CODE				
INJURIES	INJURED TAKEN BY	EMS AGENCY (NAME)	INJURED TAKEN TO: MEDICAL FACILITY (NAME, CITY)	SAFETY EQUIPMENT USED	<input type="checkbox"/> DOT-COMPLIANT MC HELMET	SEATING POSITION	AIR BAG USAGE	EJECTION	TRAPPED
OL STATE	OPERATOR LICENSE NUMBER		OFFENSE CHARGED	LOCAL CODE <input type="checkbox"/>	OFFENSE DESCRIPTION			CITATION NUMBER	
OL CLASS	ENDORSEMENT	RESTRICTION SELECT UP TO 3	DRIVER DISTRACTED BY	ALCOHOL / DRUG SUSPECTED <input type="checkbox"/> ALCOHOL <input type="checkbox"/> MARIJUANA <input type="checkbox"/> OTHER DRUG		CONDITION	ALCOHOL TEST STATUS TYPE VALUE		DRUG TEST(S) STATUS TYPE RESULT SELECT UP TO 4

UNIT #	NAME: LAST, FIRST, MIDDLE				DATE OF BIRTH //		AGE	GENDER	
ADDRESS: STREET, CITY, STATE, ZIP					CONTACT PHONE - INCLUDE AREA CODE				
INJURIES	INJURED TAKEN BY	EMS AGENCY (NAME)	INJURED TAKEN TO: MEDICAL FACILITY (NAME, CITY)	SAFETY EQUIPMENT USED	<input type="checkbox"/> DOT-COMPLIANT MC HELMET	SEATING POSITION	AIR BAG USAGE	EJECTION	TRAPPED
OL STATE	OPERATOR LICENSE NUMBER		OFFENSE CHARGED	LOCAL CODE <input type="checkbox"/>	OFFENSE DESCRIPTION			CITATION NUMBER	
OL CLASS	ENDORSEMENT	RESTRICTION SELECT UP TO 3	DRIVER DISTRACTED BY	ALCOHOL / DRUG SUSPECTED <input type="checkbox"/> ALCOHOL <input type="checkbox"/> MARIJUANA <input type="checkbox"/> OTHER DRUG		CONDITION	ALCOHOL TEST STATUS TYPE VALUE		DRUG TEST(S) STATUS TYPE RESULT SELECT UP TO 4

INJURIES	SEATING POSITION	AIR BAG	OL CLASS	OL RESTRICTION(S)	DRIVER DISTRACTION	TEST STATUS
1 - FATAL	1 - FRONT - LEFT SIDE (MOTORCYCLE DRIVER)	1 - NOT DEPLOYED	1 - CLASS A	1 - ALCOHOL INTERLOCK DEVICE	1 - NOT DISTRACTED	1 - NONE GIVEN
2 - SUSPECTED SERIOUS INJURY	2 - FRONT - MIDDLE	2 - DEPLOYED FRONT	2 - CLASS B	2 - CDL INTRASTATE ONLY	2 - MANUALLY OPERATING AN ELECTRONIC COMMUNICATION DEVICE (TEXTING, TYPING, DIALING)	2 - TEST REFUSED
3 - SUSPECTED MINOR INJURY	3 - FRONT - RIGHT SIDE	3 - DEPLOYED SIDE	3 - CLASS C	3 - CORRECTIVE LENSES	3 - TALKING ON HANDS-FREE COMMUNICATION DEVICE	3 - TEST GIVEN, CONTAMINATED SAMPLE / UNUSABLE
4 - POSSIBLE INJURY	4 - SECOND - LEFT SIDE (MOTORCYCLE PASSENGER)	4 - DEPLOYED BOTH FRONT / SIDE	4 - REGULAR CLASS (OHIO = D)	4 - FARM WAIVER	4 - TALKING ON HAND-HELD COMMUNICATION DEVICE	4 - TEST GIVEN, RESULTS KNOWN
5 - NO APPARENT INJURY	5 - SECOND - MIDDLE	5 - NOT APPLICABLE	5 - M/C MOPED ONLY	5 - EXCEPT CLASS A BUS	5 - OTHER ACTIVITY WITH AN ELECTRONIC DEVICE	5 - TEST GIVEN, RESULTS UNKNOWN
INJURED TAKEN BY	6 - SECOND - RIGHT SIDE	9 - DEPLOYMENT UNKNOWN	6 - NO VALID OL	6 - EXCEPT CLASS A & CLASS B BUS	7 - OTHER DISTRACTION INSIDE THE VEHICLE	ALCOHOL TEST TYPE
1 - NOT TRANSPORTED / TREATED AT SCENE	7 - THIRD - LEFT SIDE (MOTORCYCLE SIDE CAR)	EJECTION	OL ENDORSEMENT	7 - EXCEPT TRACTOR-TRAILER	8 - OTHER DISTRACTION OUTSIDE THE VEHICLE	1 - NONE
2 - EMS	8 - THIRD - MIDDLE	1 - NOT EJECTED	H - HAZMAT	8 - INTERMEDIATE LICENSE RESTRICTIONS	9 - OTHER / UNKNOWN	2 - BLOOD
3 - POLICE	9 - THIRD - RIGHT SIDE	2 - PARTIALLY EJECTED	M - MOTORCYCLE	9 - LEARNER'S PERMIT RESTRICTIONS	CONDITION	3 - URINE
9 - OTHER / UNKNOWN	10 - SLEEPER SECTION OF TRUCK CAB	3 - TOTALLY EJECTED	P - PASSENGER	10 - LIMITED TO DAYLIGHT ONLY	1 - APPARENTLY NORMAL	4 - BREATH
SAFETY EQUIPMENT	11 - PASSENGER IN OTHER ENCLOSED CARGO AREA (NON-TRAILING UNIT, BUS, PICK-UP WITH CAP)	4 - NOT APPLICABLE	N - TANKER	11 - LIMITED TO EMPLOYMENT	2 - PHYSICAL IMPAIRMENT	5 - OTHER
1 - NONE USED	12 - PASSENGER IN UNENCLOSED CARGO AREA	TRAPPED	Q - MOTOR SCOOTER	12 - LIMITED - OTHER	3 - EMOTIONAL (E.G., DEPRESSED, ANGRY, DISTURBED)	DRUG TEST TYPE
2 - SHOULDER BELT ONLY USED	13 - TRAILING UNIT	1 - NOT TRAPPED	R - THREE-WHEEL MOTORCYCLE	13 - MECHANICAL DEVICES (SPECIAL BRAKES, HAND CONTROLS, OR OTHER ADAPTIVE DEVICES)	4 - ILLNESS	1 - AMPHETAMINES
3 - LAP BELT ONLY USED	14 - RIDING ON VEHICLE EXTERIOR (NON-TRAILING UNIT)	2 - EXTRICATED BY MECHANICAL MEANS	S - SCHOOL BUS	14 - MILITARY VEHICLES ONLY	5 - FELL ASLEEP, FAINTED, FATIGUED, ETC.	2 - BARBITURATES
4 - SHOULDER & LAP BELT USED	15 - NON-MOTORIST	3 - FREED BY NON-MECHANICAL MEANS	T - DOUBLE & TRIPLE TRAILERS	15 - MOTOR VEHICLES WITHOUT AIR BRAKES	6 - UNDER THE INFLUENCE OF MEDICATIONS / DRUGS / ALCOHOL	3 - BENZODIAZEPINES
5 - CHILD RESTRAINT SYSTEM - FORWARD FACING	99 - OTHER / UNKNOWN		X - TANKER / HAZMAT	16 - OUTSIDE MIRROR	9 - OTHER / UNKNOWN	4 - CANNABINOIDS
6 - CHILD RESTRAINT SYSTEM - REAR FACING				17 - PROSTHETIC AID		5 - COCAINE
7 - BOOSTER SEAT				18 - OTHER		6 - OPIATES / OPIOIDS
8 - HELMET USED						7 - OTHER
9 - PROTECTIVE PADS USED (ELBOW, KNEES, ETC)						8 - NEGATIVE RESULTS
10 - REFLECTIVE CLOTHING						
11 - LIGHTING - PEDESTRIAN / BICYCLE ONLY						
99 - OTHER / UNKNOWN						



OCCUPANT / WITNESS ADDENDUM

LOCAL REPORT NUMBER
2021002

OCCUPANT	UNIT #	NAME: LAST, FIRST, MIDDLE				DATE OF BIRTH		AGE	GENDER	
	01	MORRIS NATHANIEL WOLLAM				09/13/1994		26	M	
ADDRESS: STREET, CITY, STATE, ZIP					CONTACT PHONE - INCLUDE AREA CODE					
6841 BOWERMAN ST W WORTHINGTON OH 43085					614-623-1494					
INJURIES	INJURED TAKEN BY	EMS AGENCY (NAME)	INJURED TAKEN TO: MEDICAL FACILITY (NAME, CITY)	SAFETY EQUIPMENT USED	<input type="checkbox"/> DOT-COMPLIANT MC HELMET	SEATING POSITION	AIR BAG USAGE	EJECTION	TRAPPED	
5				4		3	1	1	1	

OCCUPANT	UNIT #	NAME: LAST, FIRST, MIDDLE				DATE OF BIRTH		AGE	GENDER	
	01	LONG STEVEN MICHAEL				04/16/2002		18	M	
ADDRESS: STREET, CITY, STATE, ZIP					CONTACT PHONE - INCLUDE AREA CODE					
3540 SECOND ST CHATFIELD OH 44825					419-617-9699					
INJURIES	INJURED TAKEN BY	EMS AGENCY (NAME)	INJURED TAKEN TO: MEDICAL FACILITY (NAME, CITY)	SAFETY EQUIPMENT USED	<input type="checkbox"/> DOT-COMPLIANT MC HELMET	SEATING POSITION	AIR BAG USAGE	EJECTION	TRAPPED	
5				4		6	1	1	1	

OCCUPANT	UNIT #	NAME: LAST, FIRST, MIDDLE				DATE OF BIRTH		AGE	GENDER	
	01	DENTINGER JUSTIN ALAN				04/10/2002		18	M	
ADDRESS: STREET, CITY, STATE, ZIP					CONTACT PHONE - INCLUDE AREA CODE					
8479 S TWP RD 181 BLOOMVILLE OH 44818					419-618-6794					
INJURIES	INJURED TAKEN BY	EMS AGENCY (NAME)	INJURED TAKEN TO: MEDICAL FACILITY (NAME, CITY)	SAFETY EQUIPMENT USED	<input type="checkbox"/> DOT-COMPLIANT MC HELMET	SEATING POSITION	AIR BAG USAGE	EJECTION	TRAPPED	
5				4		4	1	1	1	

OCCUPANT	UNIT #	NAME: LAST, FIRST, MIDDLE				DATE OF BIRTH		AGE	GENDER	
ADDRESS: STREET, CITY, STATE, ZIP					CONTACT PHONE - INCLUDE AREA CODE					
INJURIES	INJURED TAKEN BY	EMS AGENCY (NAME)	INJURED TAKEN TO: MEDICAL FACILITY (NAME, CITY)	SAFETY EQUIPMENT USED	<input type="checkbox"/> DOT-COMPLIANT MC HELMET	SEATING POSITION	AIR BAG USAGE	EJECTION	TRAPPED	

INJURIES	SAFETY EQUIPMENT USED	SEATING POSITION	AIR BAG USAGE
1 - FATAL	1 - NONE USED - VEHICLE OCCUPANT	1 - FRONT - LEFT SIDE (MOTORCYCLE DRIVER)	1 - NOT DEPLOYED
2 - SUSPECTED SERIOUS INJURY	2 - SHOULDER BELT ONLY USED	2 - FRONT - MIDDLE	2 - DEPLOYED FRONT
3 - SUSPECTED MINOR INJURY	3 - LAP BELT ONLY USED	3 - FRONT - RIGHT SIDE	3 - DEPLOYED SIDE
4 - POSSIBLE INJURY	4 - SHOULDER & LAP BELT USED	4 - SECOND - LEFT SIDE (MOTORCYCLE PASSENGER)	4 - DEPLOYED BOTH FRONT/SIDE
5 - NO APPARENT INJURY	5 - CHILD RESTRAINT SYSTEM - FORWARD FACING	5 - SECOND - MIDDLE	5 - NOT APPLICABLE
	6 - CHILD RESTRAINT SYSTEM - REAR FACING	6 - SECOND - RIGHT SIDE	9 - DEPLOYMENT UNKNOWN
	7 - BOOSTER SEAT	7 - THIRD - LEFT SIDE (MOTORCYCLE SIDE CAR)	
	8 - HELMET USED	8 - THIRD - MIDDLE	
	9 - PROTECTIVE PADS USED (ELBOW, KNEES, ETC.)	9 - THIRD - RIGHT SIDE	
	10 - REFLECTIVE CLOTHING	10 - SLEEPER SECTION OF TRUCK CAB	
	11 - LIGHTING - PEDESTRIAN / BICYCLE ONLY	11 - PASSENGER IN OTHER ENCLOSED CARGO AREA (NON-TRAILING UNIT, BUS, PICK-UP WITH CAP)	
	99 - OTHER / UNKNOWN	12 - PASSENGER IN UNENCLOSED CARGO AREA	
		13 - TRAILING UNIT	
		14 - RIDING ON VEHICLE EXTERIOR (NON-TRAILING UNIT)	
		15 - NON-MOTORIST	
		99 - OTHER / UNKNOWN	

WITNESS	NAME: LAST, FIRST, MIDDLE				DATE OF BIRTH		AGE	GENDER	
	ADDRESS: STREET, CITY, STATE, ZIP				CONTACT PHONE - INCLUDE AREA CODE				

WITNESS	NAME: LAST, FIRST, MIDDLE				DATE OF BIRTH		AGE	GENDER	
	ADDRESS: STREET, CITY, STATE, ZIP				CONTACT PHONE - INCLUDE AREA CODE				

WITNESS	NAME: LAST, FIRST, MIDDLE				DATE OF BIRTH		AGE	GENDER	
	ADDRESS: STREET, CITY, STATE, ZIP				CONTACT PHONE - INCLUDE AREA CODE				